

The safety you rely on.

Introducing Crouse-Hinds by Eaton

The leader in electrical products for hazardous, industrial and commercial applications world wide.



Crouse-Hinds
by **EAT•N**

Please note:
This file only contains the Raxton section
of the Global Solutions Catalogue



The safety you rely on.

Delivering world-class reliability and safety in high consequence harsh and hazardous environments

Only Eaton's Crouse-Hinds Business can deliver..

- Protection and safety of people and assets around the world with unsurpassed reliability and quality in every product we offer
- Industry leading innovation and product efficiency
- Product solutions designed and certified for global specifications
- Best-in-class, global sales, and customer service teams that provide local support

The Eaton advantage.



Crouse-Hinds remains the brand that stands for safety in the harshest of environments when power management is most critical. While it all began with the Condulet®, the Crouse-Hinds brand has grown into the premier name for a comprehensive portfolio of solutions for high-consequence harsh and hazardous environments.

And now, the next phase in the evolution of the brand you trust: Crouse-Hinds joins the leading Eaton portfolio of reliable, client and safe electrical power management solutions.

More protection. More technology. Expect more.

Crouse-Hinds
by **EATON**



Contents

About Us..... 4-5

Please note:

This file only contains the Raxton section of the Global Solutions Catalogue

Raxton Adaptors.....	46
Raxton Reducers.....	47
Raxton Insulated Adaptors.....	48
Raxton Male to Male / Female to Female Adaptors.....	49
Raxton Right Angle Adaptors.....	50
Raxton Swivel Adaptors.....	51
Raxton 'Y' and 'T' Adaptors.....	52
Raxton Earth Lead Adaptors & Threaded Earth Plates.....	53
Raxton Stopping Plugs.....	54-55
Raxton Breather Drains.....	56
Raxton Barrier Stopper Boxes.....	57
Raxton Unions.....	58
Raxton Nipples / Couplers / Bushes.....	59
Raxton Locknuts, Washers and Serrated Washers....	60
Raxton Earthing Locknuts and Earth Tags.....	61
Raxton Shrouds.....	62
Thread Selection / Dimensions.....	63
Raxton Product Coding.....	64

The product information published in our catalogues and literature is not guaranteed. It has been compiled with care and is sufficiently accurate for most purposes. It is subject to change without notice. Occasionally, it may be necessary to modify the materials, finishes, or other components of the product. These changes will in no way reduce the performance or function for which the product is intended.

All statements, technical information and recommendations contained herein are based on information and test we believe to be reliable. The accuracy or completeness thereof are not guaranteed. In accordance with Eaton's Crouse-Hinds' Terms and Conditions of Sale, and since conditions of use are outside our control, the purchaser should determine the suitability of the product for his/her intended use and assumes all risk and liability whatsoever in connection therewith.

All sales of Eaton's Crouse-Hinds products are specifically subject to the Terms and Conditions of Sale as shown in Eaton's Crouse-Hinds distributor price sheets.



Global Cable Glands Solution

Eaton's Crouse-Hinds Business provides a termination solution for virtually every cable type used in hazardous and industrial environments – both onshore and offshore and above and below ground. Our cable glands and accessory products are designed for strict adherence to global specifications for IEC and NEC wiring standards, meeting International and North American certification requirements including ATEX, IECEx, UL and regional certifications. Our products are also certified for dust and mining applications.

From the deserts of Africa to the icy waters of the North Sea, the world turns to Eaton's Crouse-Hinds Business for its complete range of cable installation products. Our cable glands, thread conversion products and cable installation accessories are used in industrial and commercial applications throughout the world enhancing safety and productivity in the most severe environmental conditions.

Eaton's Crouse-Hinds Business cable glands are the easiest and safest solution for your installation and maintenance needs. In any electrical or instrumentation installation, our glands are the reliable and safe way to move power and signals.

Global Support & Manufacturing

Our sales support and manufacturing facilities are strategically positioned around the world to deliver products close to your project. Whenever required we are there on-site during construction, commissioning and training.

Eaton's Crouse-Hinds Business manufactures in 5 continents and sells into more than 100 countries. We have dedicated sales support in every major location with local technical sales and engineering teams to support your immediate needs. As one of the largest oil & gas bulk electrical and instrument material suppliers, we can easily provide you a single source for all the components to complete your project on time and on budget.

Crouse-Hinds
by **EATON**

A Powerful Transformation

Rely on the names you trust for the safety you need

The Capri, CEAG and Raxton products you know are evolving. Our products, part of Eaton's Crouse-Hinds portfolio, are now united with Eaton's leading range of reliable, efficient and safe electrical power management solutions. Combined, we provide the world's largest portfolio of electrical equipment for explosive, classified, and industrial areas.

With unsurpassed product reliability and quality, industry-leading innovation and product efficiency, and products designed and certified for global specifications, Eaton's Crouse-Hinds solutions, including Capri, CEAG and Raxton products, delivers proven solutions for harsh and hazardous environments.

Capri, CEAG and Raxton have a new look as Crouse-Hinds by Eaton, but the products and technology you trust remain unchanged. From explosion-proof panel boards and lighting to connectivity and cable glands, the broadest offering of solutions for harsh and hazardous environments is now available from Crouse-Hinds by Eaton.

**More protection. More technology.
Expect more.**



Technical Specification



Certifications and Compliances

Code of Protection Categories

ATEX: I M2, Ex d IMb, Ex e I Mb, or II G, Ex d IIC Gb, Ex e IIC Gb, Ex tb IIIC Db
IECEX: Ex d I/IIC, Ex e I/IIC, Ex tb IIIC Db,
CSA: Ex d IIC Class 1, Zone 1, AEx d IIC (Brass and Stainless only)
GOST: ExdeI/ICU, ExdeIIICU, ExeIIU
INMETRO: Ex de I/IIC Mb/Gb, Ex tb IIIC Db IP66/67
NEPSI: Ex d II C Gb, Ex e II C Gb, DIP A21 Ta IP6X

Nylon Adaptors only:

ATEX: II 2 GD, Ex e IIC Gb, Ex tb IIIC Db
IECEX: Ex e IIC Gb, Ex tb IIIC Db
GOST: ExeIIU
INMETRO: Ex e IIC Gb, Ex tb IIIC Db IP66/67

Compliance Standards

ATEX / GOST: EN 60079-0:2009, EN 60079-1: 2007, EN 60079-7: 2007, EN 60079-31:2008
INMETRO: ABNT NBR IEC 60079-0:2008, ABNT NBR IEC 60079-1:2009, ABNT NBR IEC 60079-7:2008, ABNT NBR IEC 60079-31:2011
IECEX: IEC 60079-0:2004, IEC 60079-1:2003, IEC 60079-7:2006-07
CSA: CAN/CSA-E79-0-95, CAN/CSA-E79-1-95, UL 2279 1997, IEC 60079-0:1998, IEC 60079-1:1998 (Brass and Stainless only)
NEPSI: GB 3836.1-2010, GB 3836.2-2010, GB 3836.3-2010, GB 12476.1-2000

Nylon Adaptors only:
ATEX / GOST: EN 60079-0:2009, EN 60079-7: 2007, EN 60079-31:2009
INMETRO: ABNT NBR IEC 60079-0:2008, ABNT NBR IEC 60079-1:2009, ABNT NBR IEC 60079-7:2008, ABNT NBR IEC 60079-31:2011
IECEX: IEC 60079-0:2007, IEC 60079-7:2006, IEC 60079-31:2008

Certificate Details

ATEX: Sira 10ATEX1225X, Sira 10ATEX3335U
IECEX: IECEX SIR 07.0010X, IECEX SIR 12.0014X
CSA: CSA 200455-1003277 (Brass and Stainless only)
GOST: TC RUC-G B.ГБ06.B.00105
INMETRO: NCC 12.0764X
NEPSI: GYJ13.1313X

TEMPERATURE

The item is classified as a component and therefore metallic products are not given an operating temperature range.
 Nylon temperature range -20°C to 65°C, 'O' ring -30°C to 125°C.
 GF Nylon is UL rated @ H.B. @ 1.5mm.

Ingress Protection (IP):

Independently tested to IP66 / IP68 when fitted in accordance to manufacturer's instructions.

Product Codes

DIGIT 1+2	Code	DIGIT 3	Code	DIGIT 4 & 5 Male				DIGIT 6 & 7 Female				DIGIT 8		DIGIT 9		DIGIT 10	
Description (Adaptors)		Material		Thread Reference				Approval				Special		Plating			
M-F HEX	AB	BRASS	A	M16	11	½" NPT	42	ATEX/IECEX/ INMETRO Ex de	Y	None (standard)	X or blank	None	Blank				
M-F ROUND	AJ	ALUMINIUM	B	M20	12	¾" NPT	43			Customer Special	S	Nickel	N				
		MILD STEEL	C	M25	13	1" NPT	44			For other approvals please see product coding list on page 64				Zinc	Z		
		STAINLESS STEEL	E	M32	14	1¼" NPT	45					Chromatised	C				
		GLASS FILLED NYLON	M	M40	15	1½" NPT	46					Special	S				
				M50	16	2" NPT	47										
				M63	17	2½" NPT	48										
				M75	18	3" NPT	49										
				M90	81	3½" NPT	86										
				M100	82	4" NPT	87					Industrial	X or Blank				

Other sizes / threads are available on request



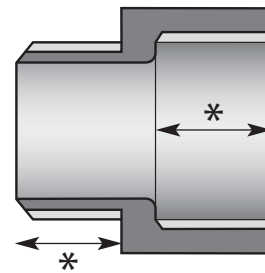
Type AB Hex

Type AJ Round

Product Dimensions

Thread	Metallic Male Thread Max Bore	Nylon Male Thread Max Bore	Metallic Thread A/F (mm)	Nylon Head Dia. (mm)
M16	11.0	8.0	20.8	24.0
M20	14.3	12.5	23.4	27.5
M25	20.5	17.5	27.9	35.5
M32	26.8	24.5	37.6	41.0
M40	33.5	32.5	47.2	50.0
M50	44.0	42.5	56.4	60.0
M63	55.2	53.0	70.1	75.0
M75	66.7	64.0	80.0	85.0
M90	80.0	76.0	105.0	100.0

Adaptors are available for up to two step sizing. e.g. M20 Male x M32 Female



* Minimum 8 full threads parallel 5 full threads taper.

PRODUCT CODING EXAMPLE	Adaptors	Brass	1" NPT(M)	M32(F)	Ex de	PART NUMBER
	AB	A	44	14	Y	= ABA4414Y

Technical Specification



Certifications and Compliances

Code of Protection Categories

ATEX: I M2, Ex d IMb, Ex e I Mb, or II G, Ex d IIC Gb, Ex e IIC Gb, Ex tb IIIC Db
IECEX: Ex d I/IIC, Ex e I/IIC, Ex tb IIIC Db
CSA: Ex d IIC Class 1, Zone 1, AEx d IIC (Brass and Stainless only)
GOST: Exdel/IICU, ExdelICU, ExeIIU
INMETRO: Ex de I/IIC Mb/Gb, Ex tb IIIC Db IP66/67
NEPSI: Ex d II C Gb, Ex e II C Gb, DIP A21 Ta IP6X

Nylon Reducers only:

ATEX: II 2 GD, Ex e IIC Gb, Ex tb IIIC Db
IECEX: Ex e IIC Gb, Ex tb IIIC Db
GOST: ExeIIU
INMETRO: Ex e IIC Gb, Ex tb IIIC Db IP66/67

Compliance Standards

ATEX / GOST: EN 60079-0:2009, EN 60079-1: 2007, EN60079-7: 2007, EN 60079-31:2008
INMETRO: ABNT NBR IEC 60079-0:2008, ABNT NBR IEC 60079-1:2009, ABNT NBR IEC 60079-7:2008, ABNT NBR IEC 60079-31:2011
IECEX: IEC 60079-0:2004, IEC 60079-1:2003, IEC 60079-7:2006-07
CSA: CAN/CSA-E79-0-95, CAN/CSA-E79-1-95, UL 2279 1997, IEC60079-0:1998, IEC 60079-1:1998
NEPSI: GB 3836.1-2010, GB 3836.2-2010, GB 3836.3-2010, GB 12476.1-2000

Nylon Reducers only:

ATEX / GOST: EN 60079-0:2009, EN 60079-7: 2007, EN60079-31:2009
INMETRO: ABNT NBR IEC 60079-0:2008, ABNT NBR IEC 60079-1:2009, ABNT NBR IEC 60079-7:2008, ABNT NBR IEC 60079-31:2011
IECEX: IEC 60079-0:2007, IEC 60079-7:2006, IEC 60079-31:2008

Certificate Details

ATEX: Sira 10ATEX1225X, Sira 10ATEX3335U
IECEX: IECEX SIR 07.0010X, IECEX SIR 12.0014X
CSA: CSA 200455-1003277 (Brass and Stainless only)
GOST: TC RUC-G B.Г506.B.00105
INMETRO: NCC 12.0764X
NEPSI: GYJ13.1314X

TEMPERATURE

The item is classified as a component and therefore metallic products are not given an operating temperature range.
 Nylon temperature range -20°C to 65°C, 'O' ring -30°C to 125°C.
 GF Nylon is UL rated @ H.B. @ 1.5mm

Ingress Protection (IP):

Independently tested to IP66 / IP68 when fitted in accordance to manufacturer's instructions.

Product Codes

DIGIT 1+2	Code	DIGIT 3	Code	DIGIT 4 & 5 Male		DIGIT 6 & 7 Female		DIGIT 8		DIGIT 9		DIGIT 10			
Description (Adaptors)		Material		Thread Reference				Approval		Special		Plating			
M-F HEX	BB	BRASS	A	M16	11	½" NPT	42	ATEX/IECEX/ INMETRO Ex de	Y	None (standard)	X or blank	None	Blank		
M-F ROUND	BJ	ALUMINIUM	B	M20	12	¾" NPT	43			Customer Special	S	Nickel	N		
		MILD STEEL	C	M25	13	1" NPT	44			For other approvals please see product coding list on page 64				Zinc	Z
		STAINLESS STEEL	E	M32	14	1¼" NPT	45					Chromatised	C		
		GLASS FILLED NYLON	M	M40	15	1½" NPT	46					Special	S		
				M50	16	2" NPT	47								
				M63	17	2½" NPT	48								
				M75	18	3" NPT	49								
				M90	81	3½" NPT	86								
				M100	82	4" NPT	87					Industrial	X or Blank		

Other sizes / threads are available on request

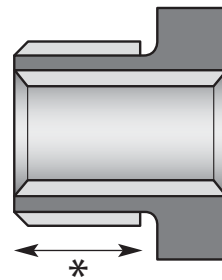


Type BB Hex

Type BJ Round

Product Dimensions

Thread	Metallic Male Thread Max Bore	Nylon Male Thread Max Bore		
M16	20.8	22.0		
M20	23.4	25.0		
M25	27.9	30.0		
M32	37.6	38.0		
M40	47.2	46.0		
M50	56.4	56.0		
M63	70.1	70.0		
M75	80.0	81.0		
M90	105.0	96.0		



* Minimum length of thread 10mm

PRODUCT CODING EXAMPLE	Reducer	Stainless Steel	M32	M25	Ex de	PART NUMBER
	BB	E	14	13	Y	= BBE1413Y

Raxton Insulated Adaptors

Technical Specification



Insulated Adaptors provide a means to isolate the earth of the supply cable from the load equipment thus reducing the risk of damage to electronic equipment within the enclosure in the event of a short circuit to ground through the enclosure.

Certifications and Compliances

Code of Protection Categories

ATEX: Ex d IIC
GOST: Ex d IICU

Compliance Standards

ATEX / GOST: EN 50014:1997, EN50018:2000,
EN 50019: 2000, EN 5081-1-1:1998

Certificate Details

ATEX: Sira 00ATEX1073U
GOST: TC RUC-G B.ГБ06.B.00105

TEMPERATURE

The item is classified as a component and is therefore not given a temperature rating.

Nylon temperature range -20°C to 130°C.

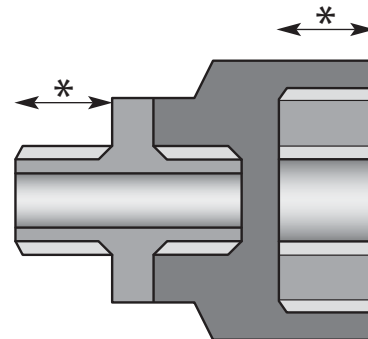
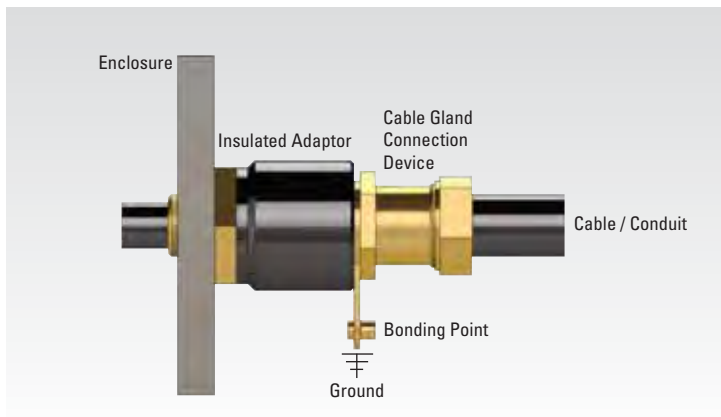
GF Nylon is UL rated @ H.B. @ 1.5mm



Type DB

Product Dimensions

Thread	Protrusion (mm)	Bore (mm)	Dia. (mm)
M16	45.0	11.0	30.0
M20	45.0	14.3	42.0
M25	45.0	20.5	47.0
M32	45.0	26.8	54.0
M40	45.0	33.5	62.0
M50	45.0	44.0	77.0
M63	45.0	55.2	87.0
M75	45.0	66.7	102.0



* Minimum 8 full threads parallel 5 full threads taper.

Product Codes

DIGIT 1+2 Description (Adaptors)	Code	DIGIT 3 Material	Code	DIGIT 4 & 5 Male		DIGIT 6 & 7 Female		DIGIT 8 Approval	DIGIT 9 Special		DIGIT 10 Plating						
				Thread Reference					None (standard)	X or blank	None	Blank					
INSULATED M-F	DB	BRASS	A	M16	11	½" NPT	42	ATEX/Ex d	D	None (standard)	X or blank	None	Blank				
INSULATED M-M	DD	ALUMINIUM	B	M20	12	¾" NPT	43		R	Customer Special	S	Nickel	N				
INSULATED F-F	DE	MILD STEEL	C	M25	13	1" NPT	44	For other approvals please see product coding list on page 64				Zinc	Z				
				STAINLESS STEEL	E	M32	14					1¼" NPT	45	Chromatised	C		
						GLASS FILLED NYLON	M					M40	15	1½" NPT	46	Special	S
												M50	16	2" NPT	47		
												M63	17	2½" NPT	48		
M75	18	3" NPT	49	Industrial	X or Blank												

Other sizes / threads are available on request

PRODUCT CODING EXAMPLE	Ins. Adaptors	Brass	M32(M)	M32(F)	Ex d	PART NUMBER
	DB	A	14	14	D	= DBA1414D

Raxton Male to Male / Female to Female Adaptors

Technical Specification



Certifications and Compliances

Code of Protection Categories

ATEX: I M2, Ex d IMb, Ex e I Mb, or II GD, Ex d IIC Gb, Ex e IIC Gb, Ex tb IIIC Db
 IECEX: Ex d I/IIC Mb/Gb Ex e I/IIC Mb/Gb, Ex tb IIIC Db
 GOST: ExdIIICU
 INMETRO: Ex d IIC Gb, Ex tb IIIC IP66/67

Compliance Standards

ATEX / GOST: EN 60079-0:2009, EN 60079-1:2007, EN 60079-7: 2007, EN 60079-31:2008
 INMETRO: ABNT NBR IEC 60079-0:2008, ABNT NBR IEC 60079-1:2009, ABNT NBR IEC 60079-7:2008, ABNT NBR IEC 60079-31:2011
 IECEX: IEC 60079-0:2007-10, IEC 60079-1:2007-04, IEC 60079-7:2006-07, IEC 61241-1:2004

Certificate Details

ATEX: Sira 10ATEX1225X
 IECEX: IECEX SIR 12.0014X
 GOST: TC RUC-G B.ГБ06.B.00105
 INMETRO: NCC 12.0764X

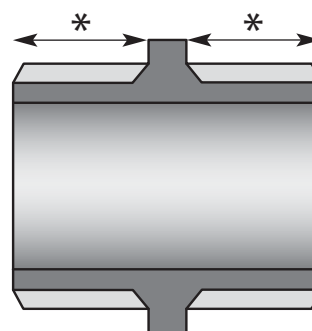
TEMPERATURE

The item is classified as a component and therefore metallic products are not given an operating temperature range.



Product Dimensions

Thread	Length (mm)	Bore (mm)	Dia. A/F (mm)	
M16	38.0	11.0	18.0	
M20	38.0	14.3	23.4	
M25	38.0	20.5	28.0	
M32	38.0	26.8	37.6	



* Minimum 6 full threads parallel 5 full threads taper.

Product Codes

DIGIT 1+2 Description (Adaptors)	Code	DIGIT 3 Material	Code	DIGIT 4 & 5 Male Thread Reference	DIGIT 6 & 7 Female Thread Reference	DIGIT 8 Approval	DIGIT 9 Special	DIGIT 10 Plating				
M-M	AR	BRASS	A	M16	11	1/2" NPT	42	None (standard)	X or blank	None	Blank	
F-F HEX	AU	ALUMINIUM	B	M20	12	3/4" NPT	43	Customer Special	S	Nickel	N	
F-F ROUND	AX	MILD STEEL	C	M25	13	1" NPT	44	For other approvals please see product coding list on page 64		Zinc	Z	
		STAINLESS STEEL	E	M32	14	1 1/4" NPT	45				Chromatised	C
		GLASS FILLED NYLON	M	M40	15	1 1/2" NPT	46				Special	S
				M50	16	2" NPT	47					
				M63	17	2 1/2" NPT	48					
				M75	18	3" NPT	49	Industrial	X or Blank			

PRODUCT CODING EXAMPLE	M-M Adp	Brass	M20(M)	M20(F)	Ex de	PART NUMBER
	AR	A	12	12	Y	= ARA1212Y

Raxton Right Angle Adaptors

Technical Specification



Right Angle Adaptors provide a means of connection where protrusion space is limited, whilst simultaneously if necessary, converting the entry thread to that of a different type or reducing size and/or gender of the female thread.

Certifications and Compliances

Code of Protection Categories

ATEX: I M2, Ex d IMb, Ex e I Mb or II GD, Ex d IIC Gb, Ex e IIC Gb, Ex tb IIIC Db

IECEX: Ex d I/IIC Mb/Gb, Ex e I/IIC Mb/Gb, Ex tb IIIC Db

GOST: ExdIIICU

INMETRO: Ex d IIC Gb, Ex tb IIIC IP66/67

Compliance Standards

ATEX / GOST: EN 60079-0:2009, EN60079-1:2007, EN 60079-7:2007, EN 60079-31:2008

INMETRO: ABNT NBR IEC 60079-0:2008, ABNT NBR IEC 60079-1:2009, ABNT NBR IEC 60079-7:2008, ABNT NBR IEC 60079-31:2011

IECEX: IEC 60079-0:2007-10, IEC 60079-1:2007-04, IEC 60079-7:2006-07, IEC 61241-1:2004

Certificate Details

ATEX: Sira 10ATEX1228U

IECEX: IECEX SIR 09.0086U

GOST: TC RUC-G B.ГБ06.B.00105

INMETRO: NCC 12.0764X

TEMPERATURE

The item is classified as a component and therefore metallic products are not given an operating temperature range.

*M20 and M25 may be supplied as Option A or B

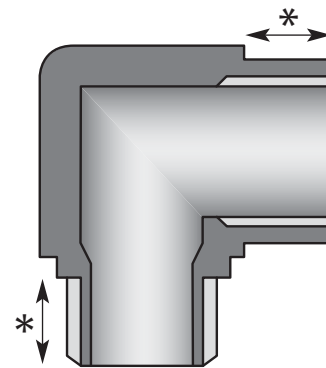
Ingress Protection (IP):

Independently tested to IP66 / IP68 when fitted in accordance to manufacturer's instructions.



Product Dimensions

Thread	Height Assembly (mm)	Bore (mm)	Male Bore Size (mm)	Option Available
M16	45.0	11.0	9.0	A
M20	51.0	14.3	15.0	A or B
M25	57.0	20.5	20.8	A or B
M32	66.0	26.8	26.8	A
M40	75.0	33.5	33.5	A
M50	86.0	44.0	44.0	A
M63	101.5	55.2	55.0	A
M75	119.0	66.7	66.5	A



* Minimum 8 full threads parallel 5 full threads taper.

Product Codes

DIGIT 1+2 Description (Adaptors)	Code	DIGIT 3 Material	Code	DIGIT 4 & 5 Male				DIGIT 6 & 7 Female				DIGIT 8		DIGIT 9		DIGIT 10	
				Thread Reference				Approval				Special		Plating			
RIGHT ANGLE M-F	FG	BRASS	A	M16	11	½" NPT	42	ATEX/IECEX/ INMETRO Ex de	Y	None (standard)	X or blank	None	Blank				
RIGHT ANGLE F-F	FN	ALUMINIUM	B	M20	12	¾" NPT	43			Customer Special	S	Nickel	N				
RIGHT ANGLE M-M	FK	MILD STEEL	C	M25	13	1" NPT	44			Round Design	C	Zinc	Z				
		STAINLESS STEEL	E	M32	14	1¼" NPT	45					Chromatised	C				
				M40	15	1½" NPT	46					Special	S				
				M50	16	2" NPT	47										
				M63	17	2½" NPT	48										
				M75	18	3" NPT	49										
				M90	81	3½" NPT	86										
				M100	82	4" NPT	87			Industrial	X or Blank						

Other sizes / threads are available on request

PRODUCT CODING EXAMPLE	R.A. M-F	Brass	M20(M)	M20(F)	Ex de	PART NUMBER
	FG	A	12	12	Y	= FGA1212Y

Raxton Swivel Adaptors

Technical Specification



The 90° Swivel Adaptor (Types FP, FQ, FR) has been designed to allow a full 360° choice of cable entry/exit positions. This enables the installer to run the cable in any direction which greatly improves ease of installation in confined or difficult situations. The cable entry/exit can be aligned without the over or under torque compromise imposed by the direction of the cable. The Inline type (Types FA, FC, FD) allows independent connection at both ends.

Certifications and Compliances

Code of Protection Categories

ATEX: I M2, Ex d IMb, Ex e I Mb, (not Alum) or IIGd Ex d IIC Gb, Ex e IIC Gb, Ex tb IIIC Db
IECEX: Ex d Ex e IIC Gb, Ex d Ex e IM (Not Alum), Ex tb IIIC Db, IP 6X
INMETRO: Ex d IIC Gb, Ex e IIC Gb, Ex d I Mb, Ex e Mb, Ex tb IIIC Db IP6X

Compliance Standards

ATEX: EN 60079-0:2009, EN60079-1:2007, EN 60079-7:2007, EN 60079-31:2008
INMETRO: ABNT NBR IEC 60079-0:2008, ABNT NBR IEC 60079-1:2009, ABNT NBR IEC 60079-7:2008, ABNT NBR IEC 60079-31:2011
IECEX: IEC 60079-0:2007, IEC 60079-1:2007, IEC 60079-7:2006, IEC 60079-31:2008

Certificate Details

ATEX: Sira 10ATEX1056U
IECEX: IECEX SIR 10.0025U
INMETRO: NCC 12.0764X

TEMPERATURE

Temperature range: -50°C to +180°C

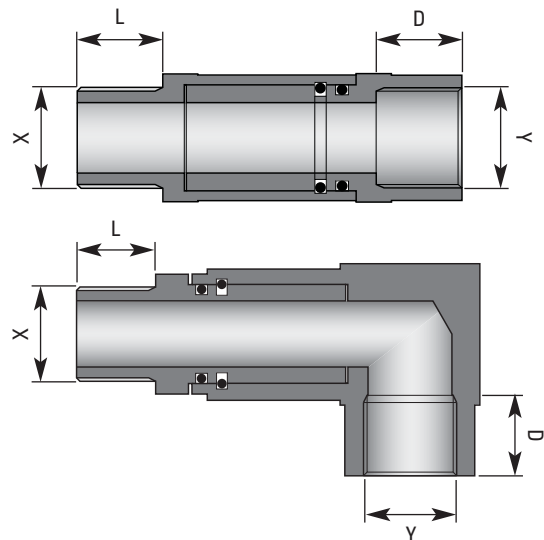
Ingress Protection (IP):

Independently tested to IP66 / IP68 when fitted in accordance to manufacturer's instructions.



Product Dimensions

Thread X	Thread Y	Length (L) (mm)	Depth (D) (mm)	Min Wall (mm)
M16	M20	17.0	17.0	2.25
M25	M25-M20	17.0	17.0	2.75
M32	M32-M20	17.0	17.0	3.00
M40	M40-M20	17.0	17.0	3.00
M50	M50-M20	17.0	17.0	3.00
M63	M63-M20	17.0	17.0	3.25
M75	M75-M20	17.0	17.0	3.25



Product Codes

DIGIT 1+2		DIGIT 3		DIGIT 4 & 5 Male		DIGIT 6 & 7 Female		DIGIT 8		DIGIT 9		DIGIT 10	
Description (Swivel Adaptors)	Code	Material	Code	Thread Reference				Approval		Special		Plating	
SWIVEL INLINE M-F	FA	BRASS	A	M16	11	½" NPT	42	ATEX/IECEX/ INMETRO Ex de For other approvals please see product coding list on page 64	Y	None (standard)	X or blank	None	Blank
SWIVEL INLINE F-F	FC	ALUMINIUM	B	M20	12	¾" NPT	43			Customer Special	S	Nickel	N
SWIVEL INLINE M-M	FD	MILD STEEL	C	M25	13	1" NPT	44					Zinc	Z
SWIVEL 90° M-F	FP	STAINLESS STEEL	E	M32	14	1¼" NPT	45					Chromatised	C
SWIVEL 90° F-F	FQ			M40	15	1½" NPT	46					Special	S
SWIVEL 90° M-M	FR			M50	16	2" NPT	47						
				M63	17	2½" NPT	48						
				M75	18	3" NPT	49						
				M90	81	3½" NPT	86						
				M100	82	4" NPT	87			Industrial	X or Blank		

Other sizes / threads are available on request

PRODUCT CODING EXAMPLE	Swivel	Brass	1" NPT(M)	M32(F)	Ex de	PART NUMBER
	FA	A	44	14	Y	= FAA4414Y

Raxton 'Y' and 'T' Adaptors

Technical Specification



'Y' (Type YA) and 'T' (Type TA) Adaptors provide an opportunity for two entries where pre-machine entries are limited, and to also change threadform or to different sizes.

Certifications and Compliances

Code of Protection Categories

ATEX: I M2, Ex d IMb, Ex e I Mb or II GD, Ex d IIC Gb, Ex e IIC Gb, Ex tb IIIC Db

IECEX: Ex d I/IIC Mb/Gb, Ex e I/IIC Mb/Gb, Ex tb IIIC Db

Compliance Standards

ATEX: EN 60079-0:2009, EN 60079-1:2007, EN 60079-7:2007, EN60079-31:2008

IECEX: IEC 60079-0: 2007-10, IEC 60079-1: 2007-04, IEC 60079-7: 2006-07, IEC 61241-1: 2004

Certificate Details

ATEX: Sira 10ATEX1056U

IECEX: IECEX SIR 10.0025U

TEMPERATURE

The item is classified as a component and therefore metallic products are not given an operating temperature range.



Product Dimensions - 'Y' Adaptor

Thread	Overall Length (mm)	Angle Between Entries		
M20	70.00	120° each		
M25	80.00	120° each		
M32	85.00	120° each		

Product Dimensions - 'T' Adaptor

Thread	Female Size Range	Height (Single Entry to base - mm)	Length (Entry to Entry - mm)
M16	M12 - M20	45.00	55.00
M20	M12 - M25	51.00	60.00
M25	M12 - M32	57.00	65.00
M32	M12 - M40	66.00	72.00
M40	M12 - M50	75.00	80.00
M50	M12 - M63	86.00	90.00
M63	M12 - M75	101.50	105.00
M75	M12 - M90	119.00	120.00



Product Codes

DIGIT 1+2	DIGIT 3	DIGIT 4 & 5 Male	DIGIT 6 & 7 Female	DIGIT 8	DIGIT 9	DIGIT 10						
Description (Adaptors)	Code	Material	Code	Thread Reference	Approval	Special	Plating					
'Y' ADAPTORS M-F/F	YA	BRASS	A	M12 04	M12 04	ATEX Exde	A	None (standard)	X or blank	None	Blank	
'T' ADAPTORS M-F/F	TA	MILD STEEL	C	M16 11	M16 11	IECEX Exde	R	Customer Special	S	Nickel	N	
		STAINLESS STEEL	E	M20 12	M20 12	For other approvals please see product coding list on page 64				Zinc	Z	
				M25 13	M25 13						Chromatised	C
				M32 14	M32 14						Special	S
				M40 15	M40 15							
				M50 16	M50 16							
				M63 17	M63 17							
				M75 18	M75 18							
				M90 81	M90 81	Industrial	X or Blank					

Other sizes / threads are available on request

PRODUCT CODING EXAMPLE	'Y' M-F	Brass	M20(M)	M25(F)	Ex de	PART NUMBER
	YA	A	12	13	A	= YAA1213

Raxton Earth Lead Adaptors & Threaded Earth Plates

Technical Specification



Earth Lead Adaptors (Type DG) allow for earth continuity to be maintained by providing an earth lead which can be terminated inside the enclosure.

Threaded earth plates (Type DK) are designed to ensure earth continuity when terminating brass glands into non-metallic enclosures. The additional use of a locknut is recommended to ensure pressure is maintained with the wall enclosure.

Certifications and Compliances - Earth Lead Adaptors

Code of Protection Categories

ATEX: I M2, Ex e I Mb or II G D, Ex e IIC Gb, Ex IIIC tb Db

IECEX: Ex d I/IIC Mb/Gb, Ex E I/IIC Mb/Gb, Ex IIIC tb Db

GOST: ExellU

INMETRO: Ex e IIC Gb, Ex tb IIIC IP66/67

Compliance Standards

ATEX / GOST: EN 60079-0:2009, EN 60079-7:2007,

EN 60079-31:2008

INMETRO: ABNT NBR IEC 60079-0:2008, ABNT NBR IEC 60079-1:2009,

ABNT NBR IEC 60079-7:2008, ABNT NBR IEC 60079-31:2011

IECEX: IEC 60079-0:2007-10, IEC 60079-1:2007-04,

IEC 60079-7:2006-07, IEC 61241-1:2004

Certificate Details

ATEX: Sira 10ATEX1225X

IECEX: IECEX SIR 12.0014X

GOST: TC RUC-G B.ГБ06.B.00105

INMETRO: NCC 12.0764X

TEMPERATURE

The item is classified as a component and is therefore not given a temperature rating, The 'O' ring has an operating temperature of -30°C to 125°C.

Certifications and Compliances - Threaded Earth Plates

Code of Protection Categories

ATEX: II 2GD, Ex e II

Compliance Standards

ATEX EN 50014:1997, EN50018:2000,

EN 50019:2000, EN50281-1-1:1998

Certificate Details

ATEX: Sira 00ATEX1073U

TEMPERATURE

The item is classified as a component and is therefore not given a temperature rating.

Product Codes

DIGIT 1+2	DIGIT 3	DIGIT 4 & 5 Male	DIGIT 6 & 7 Female	DIGIT 8	DIGIT 9	DIGIT 10	
Description (Earth Accessories)	Code	Material	Code	Thread Reference	Approval	Special	Plating
ADAPTOR M-F	DG	BRASS	A	M16 11 ½" NPT	ATEX Exe	None (standard)	None
PLATE	DK	ALUMINIUM	B	M20 12 ¾" NPT	IECEX Exe I/II	X or blank	Blank
		MILD STEEL	C	M25 13 1" NPT	For other approvals please see product coding list on page 64	Customer Special	Nickel
		STAINLESS STEEL	E	M32 14 1¼" NPT		S	Zinc
				M40 15 1½" NPT			Chromatised
				M50 16 2" NPT			Special
				M63 17 2½" NPT			
				M75 18 3" NPT			
				M90 81 3½" NPT			
				M100 82 4" NPT	Industrial	X or Blank	

Other sizes / threads are available on request



Product Dimensions - Earth Lead Adaptors

Earth Lead Adaptor	Length (mm)	Earth Lead x 300mm (mm2)
M16	38.0	2.5
M20	38.0	2.5
M25	38.0	4.0
M32	38.0	6.0
M40	39.0	10.0
M50	39.0	16.0
M63	39.0	25.0
M75	39.0	25.0

Product Dimensions - Threaded Earth Plates

Thread Earth Plate	Length (mm)	Earth Lead x 300mm (mm2)
M16	22.0	2.5
M20	30.0	2.5
M25	32.0	4.0
M32	38.0	6.0
M40	50.8	10.0
M50	63.5	16.0
M63	76.0	25.0
M75	102.0	25.0

PRODUCT CODING EXAMPLE

EL Adaptor	Brass	M20(M)	M20(F)	Ex e	PART NUMBER
DG	A	12	12	E	= DGA1212E

Raxton Stopping Plugs

Technical Specification



Certifications and Compliances

Code of Protection Categories

- ATEX:** I M2 (not CY), Ex d IMb, Ex e I Mb, or II GD, Ex d IIC Gb, Ex e IIC Gb, Ex tb IIIC Db
- IECEX:** Ex d I/IIC Mb/Gb, Ex e I/IIC Mb/Gb, Ex tb IIIC Db, (Group I not for CY)
- CSA:** Ex d IIC Class 1, Zone 1, AEx d IIC (Brass and Stainless only)
- GOST:** ExdeI/IICU, ExdeIIICU, ExeIIU
- INMETRO:** Ex de I/IIC Mb/Gb, Ex tb IIIC IP66/67 (Brass and Stainless) (not CY) Ex de IIC Gb, Ex tb IIIC IP66/67 (Aluminium) Ex e IIC Gb, Ex tb IIIC IP66/67 (Nylon)
- NEPSI:** Ex d II C Gb, Ex e II C Gb, DIP A21 Ta IP6X

Compliance Standards

- ATEX / GOST:** EN 60079-0:2009, EN 60079-1: 2007, EN 60079-7: 2007, EN 60079-31:2008
- IECEX:** IEC 60079-0:2004, IEC 60079-1:2003, IEC 60079-7:2006-07
- CSA:** CAN/CSA-E79-0-95, CAN/CSA-E79-1-95, UL 2279 1997, IEC 60079-0:1998, IEC 60079-1:1998
- INMETRO:** ABNT NBR IEC 60079-0:2008, ABNT NBR IEC 60079-1:2009, ABNT NBR IEC 60079-7:2008, ABNT NBR IEC 60079-31:2011
- NEPSI:** GB 3836.1-2010, GB 3836.2-2010, GB 3836.3-2010, GB 12476.1-2000

Certificate Details

- ATEX:** Sira 10ATEX1224X
- IECEX:** IECEX SIR 07.0009X
- CSA:** CSA 200455-1003277
- GOST:** TC RUC-G B.ГБ06.B.00105
- INMETRO:** NCC 12.0764X
- NEPSI:** GYJ13.1311X

TEMPERATURE

The item is classified as a component and therefore metallic products are not given an operating temperature range.

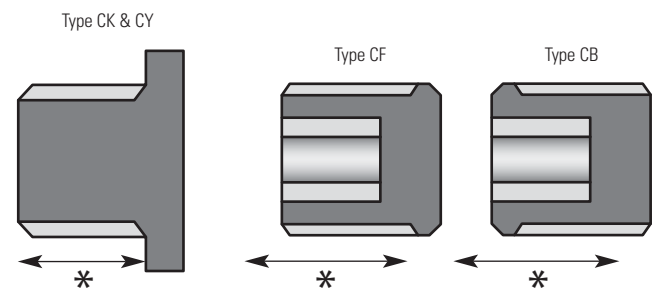
Ingress Protection (IP):

Tested to IP68



Product Dimensions

Thread	RX & Tamper-proof Allen Key Type CF & CB	Hex Head A/F (mm) Type CK & CY		
M16	6.0	19.0		
M20	10.0	23.3		
M25	10.0	28.0		
M32	10.0	37.5		
M40	19.0	47.0		
M50	19.0	56.0		
M63	19.0	70.0		
M75	19.0	80.0		



* Minimum 6 full threads parallel 5 full threads taper.

Product Codes

DIGIT 1+2	DIGIT 3	DIGIT 4 & 5 Male	DIGIT 6 & 7 Female	DIGIT 8	DIGIT 9	DIGIT 10				
Description (Stopper Plugs)	Code	Material	Code	Thread Reference	Approval	Special	Plating			
RX (External Access)	CB	BRASS	A	M16 11 ½" NPT	ATEX/IECEX/ INMETRO Ex de For other approvals please see product coding list on page 64	None (standard)	X or blank	None	Blank	
TAMPERPROOF	CF	ALUMINIUM	B	M20 12 ¾" NPT		Y	Customer Special	S	Nickel	N
HEX HEAD	CK	MILD STEEL	C	M25 13 1" NPT					Zinc	Z
HOLLOW HEX HEAD	CY	STAINLESS STEEL	E	M32 14 1¼" NPT					Chromatised	C
		GLASS FILLED NYLON	M	M40 15 1½" NPT					Special	S
				M50 16 2" NPT						
				M63 17 2½" NPT						
				M75 18 3" NPT						
				M90 81 3½" NPT						
				M100 82 4" NPT		Industrial	X or Blank			

Other sizes / threads are available on request

PRODUCT CODING EXAMPLE	Hex Head	Brass	M25(M)	-	Ex de	PART NUMBER
	CB	A	13	00	Y	= BBE1413Y

Raxton Stopping Plugs

Technical Specification



Certifications and Compliances

Code of Protection Categories

Type CQ metallic only:

ATEX: I M2, Ex d IMb, Ex e I Mb, or II GD, Ex d IIC Gb, Ex e IIC Gb, Ex tb IIIC Db
IECEX: Ex d I/IIC Mb/Gb, Ex e I/IIC Mb/Gb, Ex tb IIIC Db
CSA: Ex d IIC Class 1, Zone 1, AEx d IIC
GOST: Exdel/IICU, ExdelICU, ExellU
INMETRO: Ex de I/IIC Mb/Gb, Ex tb IIIC IP66/67 (Brass and Stainless) (not CY) Ex de IIC Gb, Ex tb IIIC IP66/67 (Aluminium)
NEPSI: Ex d II C Gb, Ex e II C Gb, DIP A21 Ta IP6X

Type CQ/CS Nylon only:

ATEX: II 2 GD, Ex e IIC Gb, Ex tb IIIC Db (not Type CS)
IECEX: Ex e IIC Gb, Ex tb IIIC Db
GOST: ExellU (not Type CS)
INMETRO: Ex e IIC Gb, Ex tb IIIC IP66/67 (Nylon)

Compliance Standards

Type CQ metallic only:

ATEX / GOST: EN 60079-0:2009, EN 60079-1:2007, EN 60079-7:2007, EN 60079-31:2008
INMETRO: ABNT NBR IEC 60079-0:2008, ABNT NBR IEC 60079-1:2009, ABNT NBR IEC 60079-7:2008, ABNT NBR IEC 60079-31:2011
NEPSI: GB 3836.1-2010, GB 3836.2-2010, GB 3836.3-2010, GB 12476.1-2000
IECEX: IEC 60079-0:2004, IEC 60079-1:2003, IEC 60079-7:2006-07
CSA: AN/CSA-E79-0-95, CAN/CSA-E79-1-95, UL 2279, 1997, IEC 60079-0:1998, IEC60079-1:1998

Type CQ Nylon only:

ATEX / GOST: EN 60079-0:2009, EN 60079-7:2007, EN 60079-31:2009
INMETRO: ABNT NBR IEC 60079-0:2008, ABNT NBR IEC 60079-1:2009, ABNT NBR IEC 60079-7:2008, ABNT NBR IEC 60079-31:2011
IECEX: IEC 60079-0:2007, IEC 60079-7:2006, IEC 60079-31:2008

Type CS only:

IECEX: IEC 60079-0:2007-10, IEC 60079-7:2006-07, IEC 60079-31:2008

Certificate Details

Type CQ metallic only:

ATEX: Sira 10ATEX1224X
IECEX: IECEX SIR 07.0009X
CSA: CSA 200455-1003277
NEPSI: GYJ13.1311X

Type CQ Nylon only:

ATEX: Sira 10ATEX1225X
IECEX: IECEX SIR 12.0014X

Type CQ metallic/Nylon:

GOST: TC RUC-G B.ГБ06.B.00105
INMETRO: NCC 12.0764X

Type CS only:

IECEX: IECEX LCI 08.0035X

Product Codes

DIGIT 1+2	Code	DIGIT 3	Code	DIGIT 4 & 5 Male	DIGIT 6 & 7 Female	DIGIT 8	DIGIT 9	DIGIT 10	
Description (Stopper Plugs)		Material		Thread Reference		Approval	Special	Plating	
DOME HEAD	CQ	BRASS	A	M16	11 ½" NPT	ATEX/IECEX/ INMETRO Ex de For other approvals please see product coding list on page 64	None (standard)	None	
SLOTTED HEAD	CS	ALUMINIUM	B	M20	12 ¾" NPT		Y	X or blank	Blank
		MILD STEEL	C	M25	13 1" NPT			S	Nickel
		STAINLESS STEEL	E	M32	14 1¼" NPT				Zinc
		GLASS FILLED NYLON	M	M40	15 1½" NPT				Chromatised
				M50	16 2" NPT				Special
				M63	17 2½" NPT				
				M75	18 3" NPT				
				M90	81 3½" NPT				
				M100	82 4" NPT		Industrial	X or Blank	

Other sizes / threads are available on request



Product Dimensions

Thread	Dome Head Allen Key Type CQ	Dome Head Dia (mm) Type CQ	Slotted Head A/F (mm) Type CS
M16	6.0	20.5	19.0
M20	10.0	25.0	23.0
M25	10.0	30.0	28.0
M32	10.0	38.0	36.0
M40	19.0	46.0	44.0
M50	19.0	56.0	54.0
M63	19.0	69.0	67.0
M75	19.0	81.0	N/A

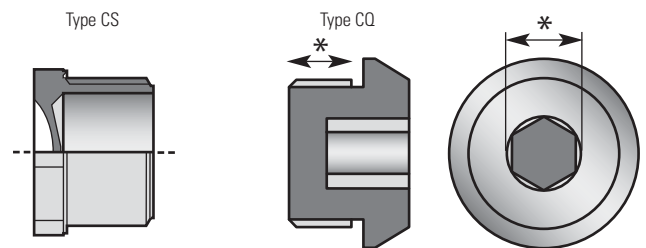
TEMPERATURE

The item is classified as a component and therefore metallic products are not given an operating temperature range.

Nylon temperature range -20°C to 65°C, 'O' ring -30°C to 125°C.

Ingress Protection (IP):

Tested to IP68



* Minimum 6 full threads parallel 5 full threads taper

PRODUCT CODING EXAMPLE	Dome Head	Brass	M25(M)	-	Ex de	PART NUMBER
	CQ	A	13	00	Y	= CQA1300Y

Raxton Breather Drains

Technical Specification



The Exde (Type CT) and the Exe (Type CV) effectively drain moisture from an enclosure and allow air from the enclosure to vent into the surrounding atmosphere thereby minimising moisture build up.

Certifications and Compliances

Code of Protection Categories

Type CT Breather Drain Plugs

ATEX: II 2 GD, Ex e IIC Gb, Ex tb IIIC Db

IECEX: Ex d I/IIC Mb/Gb, Ex e I/IIC Mb/Gb, Ex tb IIIC Db, IP 6X

Type CV Breather Drain Plugs

ATEX: I M2, Ex e I Mb or II GD, Ex e IIC Gb, Ex tb IIIC Db.

Nylon: - II 2 GD, Ex e II only.

IECEX: Ex e IIC Mb/Gb, Ex IIIC tb Db (metallic only)

GOST: ExdeIIICU, ExeIIU. Nylon: - ExeIIU only.

INMETRO: BR-Ex e I/IIC Gb, BR-Ex tD A21, IP 66

Compliance Standards

Type CT Breather Drain Plugs

ATEX / INMETRO / GOST: EN 60079-0:2007, EN 60079-1:2007,

EN 60079-7:2007, EN 61241-0:2006

EN 61241-1:2004

IECEX: IEC 60079-0:2007-10, IEC 60079-1:2007-04,

IEC 60079-7:2006-07, IEC 61241-1:2004

Type CV Breather Drain Plugs

ATEX / INMETRO / GOST: EN 60079-0:2009, EN 60079-1:2007,

EN 60079-7:2007, EN 60079-31:2008

(Metallic only); EN 50014:1997,

EN 50019:1994, EN 50281-1-1:1998 (Nylon only)

IECEX: IEC 60079-0:2007-10, IEC 60079-7:2006-07, IEC 61241-1:2004

(Metallic only)

Certificate Details

ATEX: (CV) Sira 10ATEX3279U

(CT) ITS 13ATEX17782X

IECEX: (CV) IECEX SIR 09.0096U

(CT) IECEX ITS 13.0018X

GOST: POCC GB. 06.B01060

INMETRO: (CV) NCC 12.0926X

(CT) NCC 12.0927X

TEMPERATURE

The Exde Type CT Breather/Drain plug: -50°C to 230°C.

The Exe Breather/Drain plug is classified as a component and therefore metallic products are not given an operating temperature.

Nylon temperature range -20°C to 65°C, 'O' ring -30°C to 125°C.

Ingress Protection (IP):

Tested to IP66

Product Codes

DIGIT 1+2 Description (Breather Drains)	Code	DIGIT 3 Material	Code	DIGIT 4 & 5 Male		DIGIT 6 & 7 Female		DIGIT 8 Approval	DIGIT 9 Special	DIGIT 10				
				Thread Reference						Plating				
B.DRAIN Ex de	CT	BRASS	A	M16	11	½" NPT	42	ATEX Exde	A	None (standard)	X or blank	None	Blank	
B.DRAIN Ex e	CV	STAINLESS STEEL	E	M20	12	¾" NPT	43	IECEX Exde	R	Customer Special	S	Nickel	N	
		GLASS FILLED NYLON	M	M25	13	1" NPT	44	For other approvals please see product coding list on page 64				Zinc	Z	
				M32	14								Chromatised	C
									Industrial	X or Blank			Special	S

Other sizes / threads are available on request

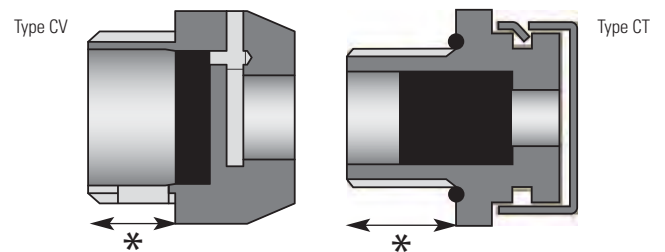


Product Dimensions - Ex e (Type CV)

Thread	Dia. (mm)	Allen Key (mm)	Head Protrusion (mm)
M20	25.4	10	14
M25	30.5	10	14
M32	38.0	10	14
½" NPT	25.4	10	14
¾" NPT	30.5	10	14
1" NPT	38.0	10	14

Product Dimensions - Ex de (Type CT)

Thread	Hex AF (mm)	Thread Length (mm)	OAL (mm)
M20	27.0	16.0	31
M25	31.8	16.0	31
½" NPT	27.0	20.0	35
¾" NPT	27.9	20.0	35



* Minimum 6 full threads parallel 5 full threads taper.

PRODUCT CODING EXAMPLE	Breather Drain	Brass	M25(M)	-	Ex de	PART NUMBER
	CT	A	13	00	A	= CTA1300A

Raxton Barrier Stopper Boxes for Cable Glands and Rigid Conduit

Technical Specification



The Compound Stopper Box is designed to seal conductors at the entry to the enclosure via conduit or to enable an existing compression gland to be converted to a barrier gland. This is achieved by forming a barrier between the individual insulated conductors within the cable to prevent an explosion within the enclosure. The Compound Stopper Box allows compound to be packed around individual insulated conductors. Assembly of the component compresses the packing material and distributes the compound evenly to effect a barrier at point of entry into the enclosure.

The Compound Stopper Box is supplied with compound in a pack, complete with making off instructions and gloves.

Certifications and Compliances

Code of Protection Categories

ATEX: II 2 GD, Ex de IIC

GOST: ExdIIICU

INMETRO: BR-Ex d IIC Gb, BR-Ex tD A21 IP 66/67

Compliance Standards

ATEX / INMETRO / GOST: EN 50014:1997, EN 50018:2000, EN 50019:2000, EN 5081-1-1:1998

Certificate Details

ATEX: ITS 12ATEX17707X

IECEX: IECEX ITS 12.0079X

GOST: POCC GB. 06.B01060

TEMPERATURE

The item is classified as a component and therefore metallic products are not given an operating temperature range.

Ingress Protection (IP):

Independently tested to IP66 / IP68 when fitted in accordance to manufacturer's instructions.

Barrier Stopper Box used with a rigid steel conduit.



Barrier Stopper Box used with a compression type cable gland to provide a barrier gland assembly.

Product Codes

DIGIT 1+2 Description (Stopper Boxes)	Code	DIGIT 3 Material	Code	DIGIT 4 & 5 Male		DIGIT 6 & 7 Female		DIGIT 8 Approval	DIGIT 9 Special	DIGIT 10			
				Thread Reference						Plating			
STOPPER BOX M-F	EG	BRASS	A	M16	11	½" NPT	42	ATEX Ex de	A	None (standard)	X or blank	None	Blank
STOPPER BOX F-F	EK	ALUMINIUM	B	M20	12	¾" NPT	43	For other approvals please see product coding list on page 64		Customer Special	S	Nickel	N
		MILD STEEL	C	M25	13	1" NPT	44			Zinc	Z		
		STAINLESS STEEL	E	M32	14	1¼" NPT	45			Chromatised	C		
				M40	15	1½" NPT	46			Special	S		
				M50	16	2" NPT	47						
				M63	17	2½" NPT	48						
				M75	18	3" NPT	49	Industrial	X or Blank				

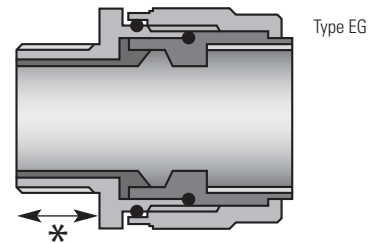
Other sizes / threads are available on request



Type EG

Product Dimensions

Thread	Bore MN (mm)	Thread Length (mm)	Protrusion (mm)	
M16	7.2	15.0	32.0	
M20	12.5	15.0	34.5	
M25	18.3	15.0	34.5	
M32	24.3	15.0	34.5	
M40	30.0	17.0	35.0	
M50	41.6	17.0	37.0	
M63	53.3	17.0	37.0	
M75	65.0	17.0	37.0	



* Minimum 6 full threads parallel 5 full threads taper.

PRODUCT CODING EXAMPLE	Box M-F	Brass	M20(M)	M20(F)	Ex de	PART NUMBER
	EG	A		12	12	A

Technical Specification



Unions are designed to provide a running joint whilst eliminating exposed threads and are particularly suitable for use where a coupler would be impractical.

Unions are available in a variety of threadforms and can be supplied with male to female or female to female thread entries. The female connection thread of the union shall step not more than one size up from the male connection thread, or equal to one size up in the case of a thread gender change: e.g. M20(M) to M25(F) or M20(M) to 3/4" NPT(F).

Certifications and Compliances

Code of Protection Categories

ATEX: I M2, Ex d IMb, Ex e I Mb or II GD, Ex d IIC Gb, Ex e IIC Gb, Ex tb IIIC Db

IECEX: Ex d I/IIC Mb/Gb, Ex e I/IIC Mb/Gb, Ex tb, IIIC Db

GOST: ExdIICU

INMETRO: BR-Ex d IIC Gb

Compliance Standards

ATEX / INMETRO / GOST: EN 60079-0:2009, EN60079-1:2007, EN 60079-7:2007, EN 60079-31:2008

IECEX: IEC 60079-0:2007-10, IEC 60079-1:2007-04,

IEC 60079-7:2006-07, IEC 61241-1:2004

Certificate Details

ATEX: Sira 10ATEX1227U

IECEX: IECEX SIR 09.0085U

GOST: POCC GB. 06.B01060

INMETRO: NCC 12.0764X

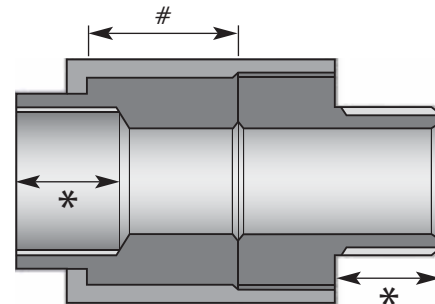
TEMPERATURE

The item is classified as a component and therefore metallic products are not given an operating temperature range.



Product Dimensions

Thread	Protrusion (mm)	Bore (mm)	Dia (mm)
M16	45.0	11.0	30.0
M20	45.0	14.3	42.0
M25	45.0	20.5	47.0
M32	45.0	26.8	54.0
M40	45.0	33.5	62.0
M50	45.0	44.0	77.0
M63	45.0	55.2	87.0
M75	45.0	66.7	102.0



* Minimum 8 full threads parallel 5 full threads taper.

#Flamepath in accordance with appropriate standards.

Product Codes

DIGIT 1+2	DIGIT 3	DIGIT 4 & 5 Male	DIGIT 6 & 7 Female	DIGIT 8	DIGIT 9	DIGIT 10	
Description (Unions)	Code	Material	Code	Thread Reference	Approval	Special	Plating
UNION M-F	FB	BRASS	A	M16 11 1/2" NPT 42	ATEX Ex de A	None (standard) X or blank	None Blank
UNION F-F	FL	ALUMINIUM	B	M20 12 3/4" NPT 43	IECEX Ex de R	Customer Special S	Nickel N
		MILD STEEL	C	M25 13 1" NPT 44	For other approvals please see product coding list on page 64		Zinc Z
		STAINLESS STEEL	E	M32 14 1 1/4" NPT 45			Chromatised C
				M40 15 1 1/2" NPT 46			Special S
				M50 16 2" NPT 47			
				M63 17 2 1/2" NPT 48			
				M75 18 3" NPT 49	Industrial X or Blank		

Other sizes / threads are available on request

PRODUCT CODING EXAMPLE	Union	Brass	M32(M)	M32(F)	Ex de	PART NUMBER
	FB	A	14	14	A	= FBA1414A

Raxton Nipples / Couplers / Bushes

Technical Specification

Screwed Nippling

Supplied 50mm long as standard, alternative lengths can be supplied as required.

Available in a variety of thread forms. Materials include Brass, Mild Steel, Stainless Steel, Aluminium and Nylon.

Metallic finishes can be plated to requirements.

Couplers

Available in round or hexagonal. Manufactured in Brass as standard in a wide combination of thread forms and sizes.

Bushes

Male and Female Bushes are available in a variety of thread forms. Materials include Brass, Mild Steel, Stainless Steel, Aluminium and may be plated to requirements.

TEMPERATURE

The item is classified as a component and therefore metallic products are not given an operating temperature range.



Product Codes

DIGIT 1+2	DIGIT 3	DIGIT 4 & 5 Male	DIGIT 6 & 7 Female	DIGIT 8	DIGIT 9	DIGIT 10
Description	Code	Material	Code	Approval	Special	Plating
Thread Reference						
MALE BUSH LONG	JA	BRASS	A	Industrial	None (standard)	None
MALE BUSH SHORT	JB	ALUMINIUM	B	X or Blank	X or blank	Blank
FEMALE BUSH	JC	MILD STEEL	C	For other approvals please see product coding list on page 64	Customer Special	Nickel
NIPPLE	JD	STAINLESS STEEL	E		S	Zinc
NIPPLE LONG	JE	NYLON BLACK	G			Chromatised
NIPPLE BARREL	JF					Special
COUPLER ROUND	JG					
COUPLER HEX	JH					
COUPLER FLANGE	JJ					

Other sizes / threads are available on request

PRODUCT CODING EXAMPLE	Male Bush	Brass	M25(M)	-	-	PART NUMBER
	JA	A	13	00		= JAA1300

Raxton Locknuts, Washers & Serrated Washers

Technical Specification

Locknuts & Lockrings (Type GA, GB)

Raxton offer a large variety of Locknuts/Lockrings which are often recommended for securing cable glands, thread Adaptors or thread Reducers to a gland plate or into equipment. Locknuts are available in Brass, Mild Steel, Stainless Steel, Aluminium or Nylon.

TEMPERATURE

The item is classified as a component and therefore metallic products are not given an operating temperature range.

Product Dimensions

Female Thread	Thread Coding	A/F Dims (mm)	Female Thread	Thread Coding	A/F Dims (mm)
M16	0011	19.0	¾" NPT	0043	33.0
M20	0012	24.0	1" NPT	0044	40.0
M25	0013	30.0	1¼" NPT	0045	50.0
M32	0014	36.0	1½" NPT	0046	55.9
M40	0015	46.0	2" NPT	0047	70.0
M50	0016	65.0	2½" NPT	0048	90.0
M63	0017	80.0	3" NPT	0049	105.0
M75	0018	95.0	3½" NPT	0050	120.0
M90	0019	110.0	4" NPT	0051	135.0

Washers

To maintain the IP rating of the equipment Raxton offer a wide variety of entry thread sealing Washers and 'O' rings. Materials include Nylon, Teflon, Neoprene, Fibre and Rubber. In addition Raxton can offer a non-setting universal jointing sealant.

TEMPERATURE

The item is classified as a component and therefore metallic products are not given an operating temperature range.

Serrated Washers

Raxton Serrated (Shakeproof) Washers are available in both Mild Steel Zinc plated and Stainless Steel and prevent the risk of attachments becoming loose when used in conjunction with a Locknut.

TEMPERATURE

The item is classified as a component and therefore metallic products are not given an operating temperature range.

Product Codes

DIGIT 1+2	Code	DIGIT 3	Code	DIGIT 4 & 5 Male	DIGIT 6 & 7 Female	DIGIT 8	DIGIT 9	DIGIT 10						
Description (Earth Accessories)		Material		Thread Reference		Approval	Special	Plating						
LOCKNUTS	GA	BRASS	A	M16	11	½" NPT	42	Industrial	X or Blank	None (standard)	X or blank	None	Blank	
LOCKRINGS	GB	ALUMINIUM	B	M20	12	¾" NPT	43	For other approvals please see product coding list on page 64		Customer Special	S	Nickel	N	
SERRATED WASHERS	GC	MILD STEEL	C	M25	13	1" NPT	44						Zinc	Z
CASTELLATED LOCKNUTS	GD	STAINLESS STEEL	E	M32	14	1¼" NPT	45						Chromatised	C
WASHERS	HA	NYLON BLACK	G	M40	15	1½" NPT	46						Special	S
'O' RINGS	HB	TEFLON	P	M50	16	2" NPT	47							
		EPDM	Q	M63	17	2½" NPT	48							
		NEOPRENE	T	M75	18	3" NPT	49							
		NYLON WHITE	R	M90	81	3½" NPT	86							
		RED FIBRE	U	M100	82	4" NPT	87							

Other sizes / threads are available on request



Types GA



Types HA



Types GC

PRODUCT CODING EXAMPLE

Washer	Fibre	(M)	M40(F)	-	PART NUMBER
HA	U	00	15	-	= HAU0015

Raxton Earthing Locknuts & Earth Tags

Technical Specification

Earthing Locknuts

Raxton Earthing Locknuts offer an alternative to the standard Earth Tag when terminating a metallic cable gland into a thin wall steel enclosure. The Earthing Locknut design includes a number of cutting teeth formed on one surface of the nut. When tightened, these teeth cut into the enclosure wall, preventing the nut from turning and enabling the gland to be tightened to the nut from the outside with only one tool. This allows all connections of the gland to be made within the enclosure, away from the corrosive or flammable atmosphere and away from possible mechanical damage, and results in a neater appearance. The nut may also be fitted with the plain side facing the enclosure where this is preferred.

TEMPERATURE

The item is classified as a component and therefore metallic products are not given an operating temperature range.

Product Dimensions

Female Thread	Thread Coding	A/F Dims (mm)	Female Thread	Thread Coding	A/F Dims (mm)
M12	0010	14.0	½" NPT	0042	30.0
M16	0011	18.0	¾" NPT	0043	36.0
M20	0012	23.0	1" NPT	0044	42.0
M25	0013	28.0	1¼" NPT	0045	50.0
M32	0014	36.0	1½" NPT	0046	55.0
M40	0015	44.0	2" NPT	0047	70.0
M50	0016	54.0	2½" NPT	0048	80.0
M63	0017	70.0	3" NPT	0049	98.0
M75	0018	92.0	3½" NPT	0050	115.0
M90	0019	108.0	4" NPT	0051	130.0

Earth Tags

Raxton Earth Tags provide a means of connecting a flexible earth bond with the gland, thread Adaptor or thread Reducer in any required position whilst ensuring suitable earth continuity. Available in Brass, Aluminium and Stainless Steel and supplied self-colour as standard, additional plating is available if required.

TEMPERATURE

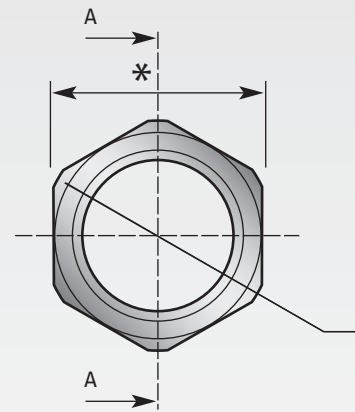
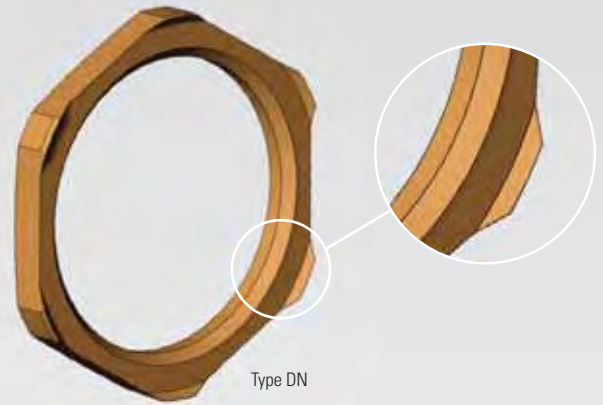
The item is classified as a component and therefore metallic products are not given an operating temperature range.

Product Codes

DIGIT 1+2		DIGIT 3		DIGIT 4 & 5 Male		DIGIT 6 & 7 Female		DIGIT 8		DIGIT 9		DIGIT 10		
Description (Earth Accessories)	Code	Material	Code	Thread Reference				Approval		Special		Plating		
EARTH TAG	DM	BRASS	A	M16	11	½" NPT	42	Industrial	X or Blank	None (standard)	X or blank	None	Blank	
EARTHING LOCKNUT	DN	ALUMINIUM	B	M20	12	¾" NPT	43	For other approvals please see product coding list on page 64		Customer Special	S	Nickel	N	
		STAINLESS STEEL	E	M25	13	1" NPT	44						Zinc	Z
				M32	14	1¼" NPT	45						Chromatised	C
				M40	15	1½" NPT	46						Special	S
				M50	16	2" NPT	47							
				M63	17	2½" NPT	48							
				M75	18	3" NPT	49							
				M90	81	3½" NPT	86							
				M100	82	4" NPT	87							

Other sizes / threads are available on request

PRODUCT CODING EXAMPLE	Earth Tag	Brass	(M)	M20(F)	-	PART NUMBER
	DM	A	00	12	-	= DMA0012



Raxton Shrouds

Technical Specification

Shrouds

Raxton offer a range of push on Shrouds which are used to minimise the risk of dirt or foreign substances gathering on the cable gland body and/or point of cable to the gland interface.

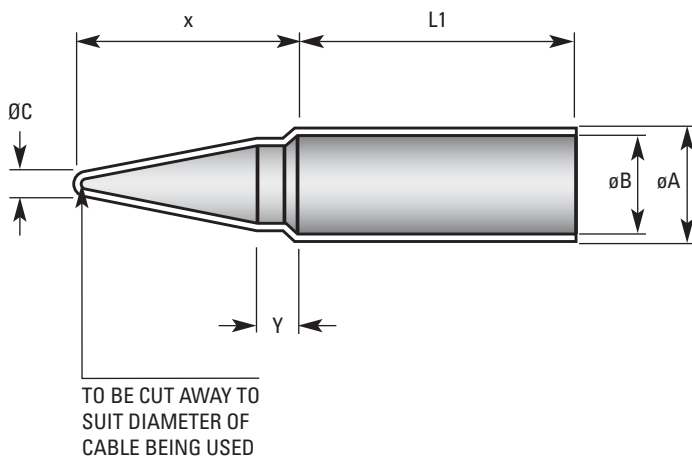
Supplied as standard in black PVC they are suitable for all leading makes of glands.

Raxton also offer coloured PVC shrouds (blue, grey, red), Flame Retardant (FR) black PVC shrouds, Low Smoke and Fume (LSF) Halogen free PVC shrouds in black, white, red, blue, and PCP shrouds in black.

It should be noted that shrouds do not necessarily improve the ingress protection (IP) of the installed gland and may in certain conditions retain unwanted moisture.

TEMPERATURE

The item is classified as a component and is therefore not given a temperature rating.



Product Dimensions

SIZE M16	ØA	ØB	ØC	X	Y	L1
5	19.9	16.5	2.5	40.0	9.0	57.0
5A	23.8	20.0	2.5	50.0	10.0	60.0
6	25.2	20.0	2.5	50.0	10.0	78.0
7	31.5	26.0	8.0	50.0	10.0	80.0
8	43.0	36.0	11.0	50.0	12.0	78.0
8B	38.8	32.0	11.0	50.0	12.0	80.0
9	49.5	40.0	15.0	50.0	12.0	83.0
10	57.8	48.0	20.0	60.0	14.0	91.0
11	67.2	60.0	25.0	70.0	14.0	105.0
12	75.6	68.0	31.0	75.0	13.0	90.0
12E	84.0	70.0	34.0	75.0	13.0	115.0
13	89.3	75.0	37.0	75.0	13.0	110.0

Product Codes

SHROUD NUMBER	PDM 100 BLACK	PDM 100 FR BLACK	PDM 100 BLUE	PDM 100 GREY	PDM 100 RED	PDM 100 LSF BLACK	PDM 100 LSF WHITE	PDM 100 LSF RED	PDM 100 LSF BLUE	PCP BLACK
5	HCY 5	HCY FR 5	HCB 5	HCG 5	HCR 5	HCB LSF 5	HCW LSF 5	HCR LSF 5	HCL LSF 5	HCY 5X NEO
5A	HCY 5A	HCY FR 5A	HCB 5A	HCG 5A	HCR 5A	HCB LSF 5A	HCW LSF 5A	HCR LSF 5A	HCL LSF 5A	HCY 5A NEO
6	HCY 6	HCY FR 6	HCB 6	HCG 6	HCR 6	HCB LSF 6	HCW LSF 6	HCR LSF 6	HCL LSF 6	HCY 6X NEO
7	HCY 7	HCY FR 7	HCB 7	HCG 7	HCR 7	HCB LSF 7	HCW LSF 7	HCR LSF 7	HCL LSF 7	HCY 7X NEO
8	HCY 8	HCY FR 8	HCB 8	HCG 8	HCR 8	HCB LSF 8	HCW LSF 8	HCR LSF 8	HCL LSF 8	HCY 8X NEO
8B	HCY 8B	HCY FR 8B	HCB 8B	HCG 8B	HCR 8B	HCB LSF 8B	HCW LSF 8B	HCR LSF 8B	HCL LSF 8B	HCY 8B NEO
9	HCY 9	HCY FR 9	HCB 9	HCG 9	HCR 9	HCB LSF 9	HCW LSF 9	HCR LSF 9	HCL LSF 9	HCY 9X NEO
10	HCY 10	HCY FR 10	HCB 10	HCG 10	HCR 10	HCB LSF 10	HCW LSF 10	HCR LSF 10	HCL LSF 10	HCY 10 NEO
11	HCY 11	HCY FR 11	HCB 11	HCG 11	HCR 11	HCB LSF 11	HCW LSF 11	HCR LSF 11	HCL LSF 11	HCY 11 NEO
12	HCY 12	HCY FR 12	HCB 12	HCG 12	HCR 12	HCB LSF 12	HCW LSF 12	HCR LSF 12	HCL LSF 12	HCY 12 NEO
12E	HCY 12E	HCY FR 12E	HCB 12E	HCG 12E	HCR 12E	HCB LSF 12E	HCW LSF 12E	HCR LSF 12E	HCL LSF 12E	HCY 12E NEO
13	HCY 13	HCY FR 13	HCB 13	HCG 13	HCR 13	HCB LSF 13	HCW LSF 13	HCR LSF 13	HCL LSF 13	HCY 13 NEO

Thread Selection / Dimensions

Isometric to BS 3643:1981

SIZE	MAJOR DIAMETER (mm)	THREADS PER INCH	PITCH
16mm (M16)	16	16.93	1.50
20mm (M20)	20	16.93	1.50
25mm (M25)	25	16.93	1.50
32mm (M32)	32	16.93	1.50
40mm (M40)	40	16.93	1.50
50mm (M50)	50	16.93	1.50
63mm (M63)	63	16.93	1.50
75mm (M75)	75	16.93	1.50

National Pipe Thread to ANSI / ASME: 1983

SIZE	MAJOR DIAMETER (mm)	THREADS PER INCH	PITCH
1/8" NPT	10.30	27	0.94
1/4" NPT	13.72	18	1.41
3/8" NPT	17.15	18	1.41
1/2" NPT	21.34	14	1.81
3/4" NPT	26.67	14	1.81
1" NPT	33.40	11 1/2	2.20
1 1/4" NPT	42.16	11 1/2	2.20
1 1/2" NPT	48.26	11 1/2	2.20
2" NPT	60.33	11 1/2	2.20
2 1/2" NPT	73.03	8	3.175
3" NPT	88.90	8	3.175
4" NPT	114.30	8	3.175

British Standard Pipe to BS 21:1985

SIZE	MAJOR DIAMETER (mm)	THREADS PER INCH	PITCH
1/8" BSP	9.73	28	0.91
1/4" BSP	13.16	19	1.34
3/8" BSP	16.66	19	1.34
1/2" BSP	20.96	14	1.81
3/4" BSP	26.44	14	1.81
1" BSP	33.25	11	2.31
1 1/4" BSP	41.91	11	2.31
1 1/2" BSP	47.80	11	2.31
2" BSP	59.61	11	2.31
2 1/2" BSP	75.18	11	2.31
3" BSP	87.88	11	2.31
4" BSP	113.03	11	2.31

Certified Products - Raxton adaptors now available in 2 step format

		FEMALE THREAD																
		M16	M20	M25	M32	M40	M50	M63	M75	1/2" NPT / BSP	3/4" NPT / BSP	1" NPT / BSP	1 1/4" NPT / BSP	1 1/2" NPT / BSP	2" NPT / BSP	2 1/2" NPT / BSP	3" NPT / BSP	4" NPT
MALE THREAD	M16																	
	M20																	
	M25																	
	M32																	
	M40																	
	M50																	
	M63																	
	M75																	
	1/2" NPT																	
	3/4" NPT																	
	1" NPT																	
	1 1/4" NPT																	
	1 1/2" NPT																	
	2" NPT																	
	2 1/2" NPT																	
	3" NPT																	
	4" NPT																	
	1/2" BSP																	
	3/4" BSP																	
	1" BSP																	
	1 1/4" BSP																	
	1 1/2" BSP																	
	2" BSP																	
	2 1/2" BSP																	
	3" BSP																	

Adaptors
 Reducers
 Not Certified

Raxton Product Coding

DIGIT 1 + 2		CODE
Product	Description	
ADAPTORS	M-F HEX	AB
	M-F ROUND	AJ
	M-M	AR
	F-F HEX	AU
	F-F ROUND	AX
SWIVEL ADAPTORS	M-F INLINE	FA
	M-M INLINE	FD
	F-F INLINE	FC
	M-F RIGHT ANGLE	FP
	M-M RIGHT ANGLE	FR
	F-F RIGHT ANGLE	FQ
ADAPTING AIDS	UNION M-F	FB
	UNION F-F	FL
	UNION M-M	FE
	RIGHT ANGLE M-F	FG
	RIGHT ANGLE F-F	FN
REDUCERS	RIGHT ANGLE M-M	FK
	45° ELBOW	FM
	M-F HEX	BB
	M-F ROUND	BJ
	RX (Externally Accessible)	CB
PLUGS	TAMPERPROOF (Internally Accessible)	CF
	HEX HEAD	CK
	HEX HEAD (Hollow)	CY
	DOME HEAD	CQ
	SLOTTED	CS
INSULATING & EARTHING	DRAIN Exe	CV
	DRAIN Exde	CT
	INSULATED M-F	DB
	INSULATED M-M	DD
	INSULATED F-F	DE
	EARTH LEAD M-F	DG
CABLE RETENTION	EARTH PLATE	DK
	EARTH TAG	DM
	EARTHING LOCK NUTS	DN
	GLANDS	EB
	STOPPER BOX M-F	EG
LOCKING	STOPPER BOX F-F	EK
	FLEXIBLE CONDUIT	EF
	LOCKNUTS	GA
	LOCKRINGS	GB
INGRESS PROTECTION (IP) AIDS	SERRATED WASHERS	GC
	LOCKNUTS CASTELLATED	GD
	WASHERS	HA
ACCESSORIES	O RINGS	HB
	SHROUDS	HC
	MALE BUSH LONG	JA
	MALE BUSH STD 17	JB
	MALE BUSH ROUND	JQ
	FEMALE BUSH	JC
	NIPPLE THREADED 30mm	JD
	NIPPLE LONG THREADED	JE
	NIPPLE BARREL	JF
	COUPLER ROUND	JG
COUPLER HEX	JH	
COUPLER FLANGE	JJ	

Products shaded are not certified and do not have any associated approvals

THREAD REFERENCES

MALE DIGIT 4 + 5				FEMALE 6 + 7			
ISOMETRIC		NPT		BSP P		BSP T	
SIZE	CODE	SIZE	CODE	SIZE	CODE	SIZE	CODE
M6	01	1/2"	42	1/2"	62	1/2"	52
M8	02	3/4"	43	3/4"	63	3/4"	53
M10	03	1"	44	1"	64	1"	54
M12	04	1 1/4"	45	1 1/4"	65	1 1/4"	55
M16	11	1 1/2"	46	1 1/2"	66	1 1/2"	56
M20	12	2"	47	2"	67	2"	57
M22	07	2 1/2"	48	2 1/2"	68	2 1/2"	58
M24	08	3"	49	3"	69	3"	59
M25	13	3 1/2"	86	4"	89	4"	79
M28	09	4"	87	SPECIAL	60	SPECIAL	50
M32	14	5"	88	Normally Male thread is specified first (digits 4+5), Female thread second (digits 6+7), with all digits used for M-M and F-F products. PG & ET thread components are still available, please consult sales department for advice.			
M38	05	SPECIAL	40				
M40	15						
M50	16						
M63	17						
M75	18						
M80	80						
M90	81						
M100	82						
SPECIAL	10						

DIGIT 3	CODE
Material	
BRASS	A
ALUMINIUM	B
STEEL	C
COPPER & NON-ASB	D
STAINLESS STEEL	E
PVC	F
NYLON BLACK	G
NYLON GREY	H
SILICONE	J
NYLON BLUE	K
LEAD	L
GLASS FILLED NYLON	M
NYLON 66	N
RED FIBRE	U
TEFLON	P
EPDM	Q
NYLON WHITE	R
SPECIAL	S

DIGIT 9	CODE
Special	
None (standard)	X or Blank
Customer Special	S
'O' Ring	U

DIGIT 10	CODE
Plating	
None	Blank
Nickel	N
Zinc	Z
Chromatised	C
Special	S

DIGIT 8	CODE
Approval	
ATEX / IECEx / INMETRO Exd / Exe (all approvals)	Y
ATEX Exde	A
ATEX Exd	D
ATEX Exe	E
Mining Group 1	M
CSA ©Exd IIC	J
CSA (US) Class 1 Zone 1	K
AExd IIC	L
IECEx Exd I/IIC	N
IECEx Exe I/II	P
IECEx Exde I/II	R
Gost Exde IICU	T
Gost Exde I/IICU	U
Gost Exd IICU	V
Gost Exe IICU	W
ATEX / IECEx Exde	B
ATEX / IECEx Exd	C
ATEX / IECEx Exe	Q
Industrial	X or Blank

Product Coding Notes

Male thread is always quoted first (digits 4+5) followed by the Female thread (digits 6+7).

Other threads are available, please consult the sales department.

Digit 8 (No approval) is blank if digits 9 & 10 are not required, otherwise use X.

Digit 9 (Not Customer specific) is blank if digit 10 is not required, otherwise use X.

Digit 10 (Plating) is blank if no plating is required.

	PRODUCT	MATERIAL	MALE THREAD	FEMALE THREAD	APPROVAL	SPECIAL	PLATING	PART NUMBER
PRODUCT CODING EXAMPLE	Adaptor	Brass	1/2" NPT(M)	M20(F)	Exd	None	Nickel	= ABA4212DXN
	AB	A	42	12	D	X	N	
PRODUCT CODING EXAMPLE	Hex Head Plug	ST/ST	2" BSPT(M)	(F)	Gost Exd IICU	Yes	None	= CKE5700VS
	CK	E	57	00	V	S	Blank	



Eaton's Crouse-Hinds

The safety you rely on.

See the complete offering of Cable Glands and Accessories at www.crouse-hinds.com.

**U.S. (Global Headquarters):
Eaton's Crouse-Hinds Business**

1201 Wolf Street
Syracuse, NY 13208
(866) 764-5454
FAX: (315) 477-5179
FAX Orders Only:
(866) 653-0640

crouse.customerctr@cooperindustries.com

For more information:

If further assistance is required, please contact an authorized Eaton Distributor, Sales Office, or Customer Service Department.

Canada:

Toll Free: 800-265-0502
FAX: (800) 263-9504
FAX Orders only: (866) 653-0645

Mexico/LatinAmerica/Caribbean:

52-555-804-4000
FAX: 52-555-804-4020
mxmercadotecnia@cooperindustries.com

Europe (Germany):

49 (0) 6271 806-500
49 (0) 6271 806-476
sales.CCH.de@cooperindustries.com

Middle East (Dubai):

971 4 4272500
FAX: 971 4 4298521
sales.CCH.me@cooperindustries.com

Singapore:

65-6645-9888
FAX: 65-6297-4819
chsi-sales@cooperindustries.com

China:

86-21-2899-3600
FAX: 86-21-2899-4055
cchsales@cooperindustries.com

Korea:

82-2-3484-6783
82-2-3484-6778
CCHK-sales@cooperindustries.com

Australia:

61-2-8787-2777
FAX: 61-2-9609-2342
CEASales@cooperindustries.com

India:

91-124-4683888
FAX: 91-124-4683899
cchindia@cooperindustries.com

Eaton Cooper Capri SAS

Eaton Cooper Capri SAS
36-40 Rue des Fontenils
41600 Nouan-le-Fuzelier France

T: +33 (0) 820 820 195

F: +33 (0) 820 820 924

W: www.cooperfrance.com

Ex Innovations Limited

Westgate, Aldridge
West Midlands WS9 8FS
United Kingdom

T: +44 (0) 1922 450400

F: +44 (0) 1922 450401

W: www.raxton.co.uk

Eaton

1000 Eaton Boulevard
Cleveland, OH 44122
United States
Eaton.com

© 2014 Eaton Corporation
All Rights Reserved
Printed in UK
Publication No. CAP185001
Sept 2014

Eaton's Crouse-Hinds Business

1201 Wolf Street
Syracuse, NY 13208
(866) 764-5454
crouse.customerctr@cooperindustries.com

Eaton is a registered trademark.
All other trademarks are property
of their respective owners.

Crouse-Hinds
by **EATON**